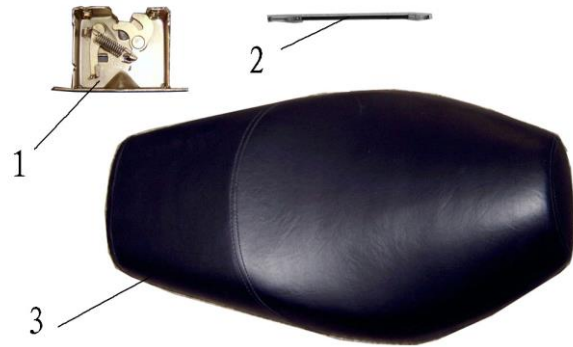


ZN50QT-15A



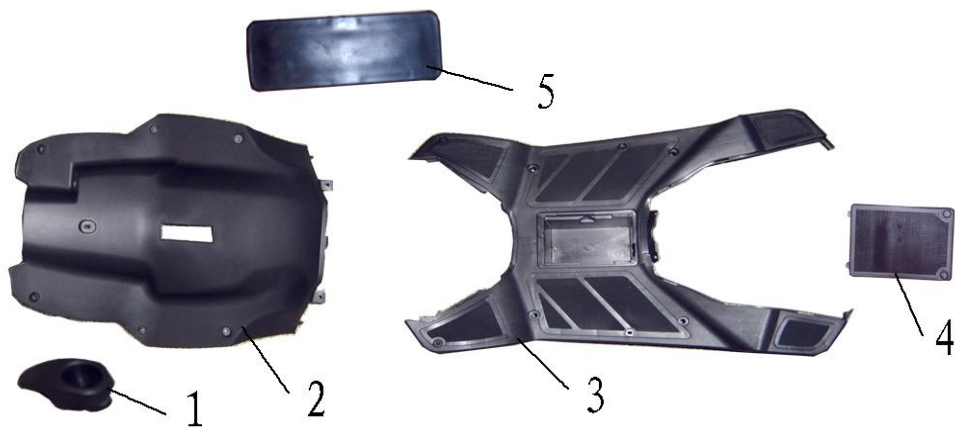
F-1  
(Seat cushion)



1	50QT-15-030601		Seat lock bracket	1
2	50QT-15-030602		Seat lock cable	1
3	50QT-15-002000		Seat groupware	1

F-2

(Tool box)



1	50QT-15-050403		Motorcycle safety helmet	1
2	50QT-15-050401		Luggage box	1
3	50QT-15-050501		Foot plate	1
4	50QT-15-050502		Cover ,battery	1
5	50QT-15-050402		Number cover	1

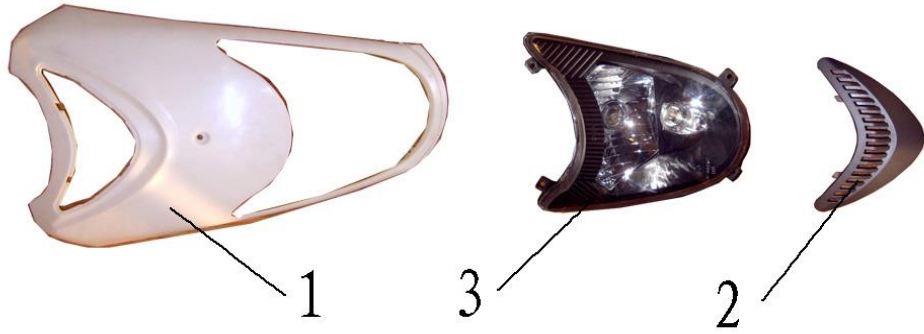
---

F-3



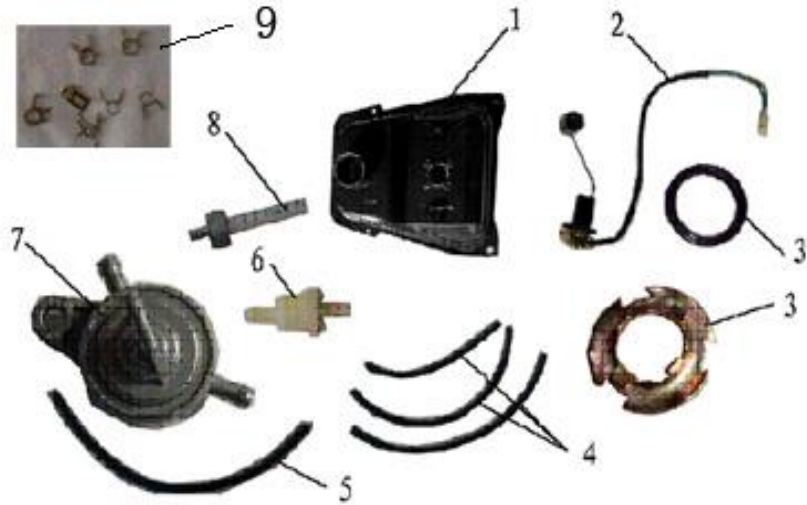
1	50QT-15-050002		Cap, luggage box	1
2	50QT-15-050001		Front cover of luggage box	1
3	50QT-15-050003		Front cover of luggage box	1
4	50QT-15-050004		luggage box front small cover	1

F-4



1	50QT-15(1)-050101		Front board	1
2	50QT-15(1)-050102		Front board decorate piece	1
3	50QT-15(1)-050200		Font headlight	1

F-5



1	50QT-15-060100		Fuel tank	1
2	50QT-15-060101		Oil digit sensor	1
3	50QT-15-060102		Sensor press board and airproof circle	各1
4	50QT-15-060601		Gasoline pipe	3
5	50QT-15-060603		Pressure pipe	1
6	50QT-15-060105		filter	1
7	50QT-15-060104		Self-priming switch	1
8	50QT-15-060103		Filter web mouth	1
9	50QT-15-060002		block spring	6

F-6



1	50QT-15-050301		L body side cover	1
2	50QT-15-050302		R body side cover	1
3	50QT-15-050005		Add oil cover	1
4	50QT-15-040010		Decorate board mat	2
5	50QT-15-090010.1		Decorate board rubber mat	2



1	50QT-15(1)-050202		L and R protect board( I )	1副
2	50QT-15(1)-050203		L and R protect board( II )	1副
3	50QT-15(1)-050201		L and R turning light	1副



F-8



1	50QT-15-050703		L and R back turning light	各1
2	50QT-15-050702		License plate bracket	1
3	50QT-15-050701		Tail board	1
4	50QT-15-050800		Taillight groupware	1

---

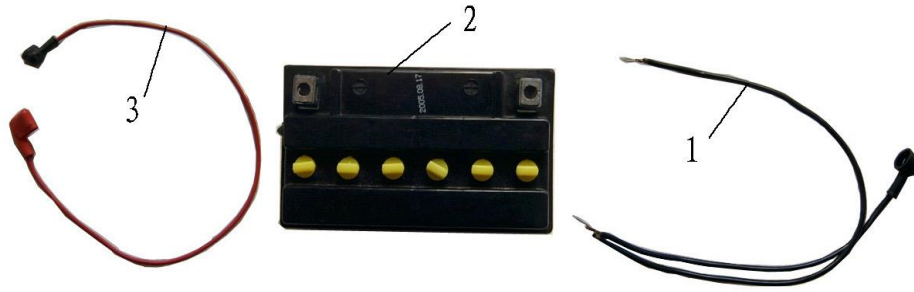
F-9



1	50QT-15-003000		Back armrest	1

---

F-10



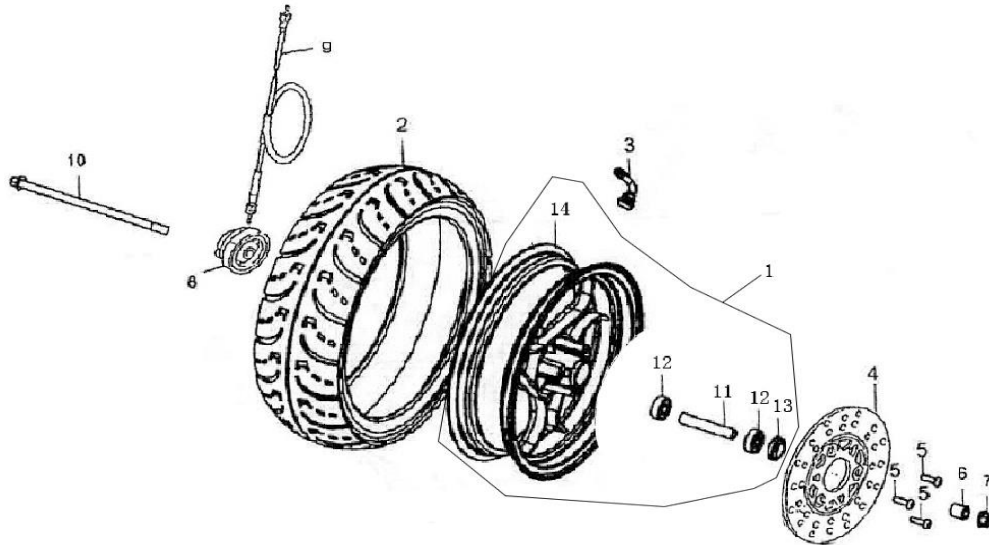
1	50QT-15-070005		Cathode cable	1
2	50QT-15-070400		Battery	1
3	50QT-15-070006		Anode cable	1

F-11

(Wire harness)



1	50QT-15-070100		Start-up relay	1
2	50QT-15-070200		Ignition loop	1
3	50QT-15-070300		horn	1
4	50QT-15(1)-070001		cable	1
5	50QT-15-070002		ignition	1
6	50QT-15-070003		flasher	1
7	50QT-15-070004		manostat	1
8	50QT-15-070007		resistance	1
9	50QT-15-070301		electricity door lock	1套
10	50QT-15-090020		wrap	1套

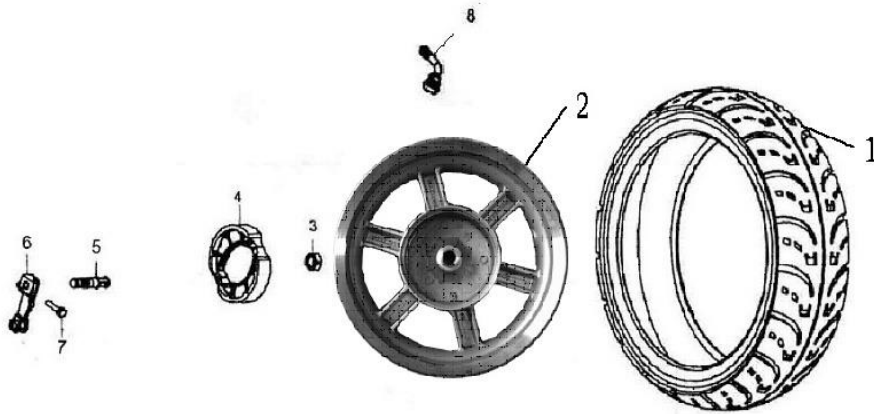


1	50QT-15-010201		Fr al wheel assy	1
2	50QT-15-010202		Vacual tire	1
3	50QT-15-010203		Value mouth	1
4	50QT-15-010204		Disc brake plate	1
5	50QT-15-010205		Disc brake plate bolt	3
6	50QT-15-010001		Front-wheel drive axle	1
7	GB6177-86		M12X1.25 locknut	1
8	50QT-15-010400		driver	1
9	50QT-15-020203		Odometer gentle axis	1
10	50QT-15-010001		Front axle	1
11	50QT-15-010201.1		Collar Fr.axle cistance	1
12	GB278-82		Bearing racial ball	2
13	50QT-15-010201.2		Dust seal	1
14	50QT-15-010201.3		front-wheel hub	1

---

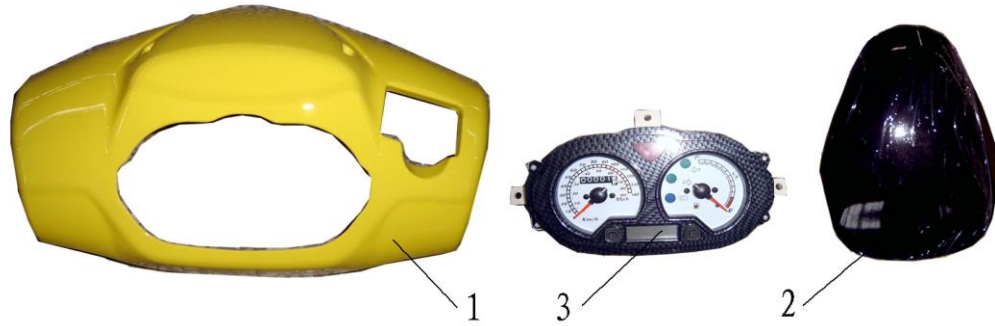
F-13

Rear wheel



1	50QT-15-040600		Vacual tire	1
2	50QT-15-040500		back al wheel	1
3	GB6184-86		Inner six corner blot M16X1.5	1
4	50QT-15-040005		Hoof block assembly	1
5	50QT-15-040003		Back apply the brake rocker axis	1
6	50QT-15-040004		Back apply the brake rocker	1
7	GB5787-86		Inner six corner blot M8X35	1
8	50QT-15-010203		Value mouth	1

F-14



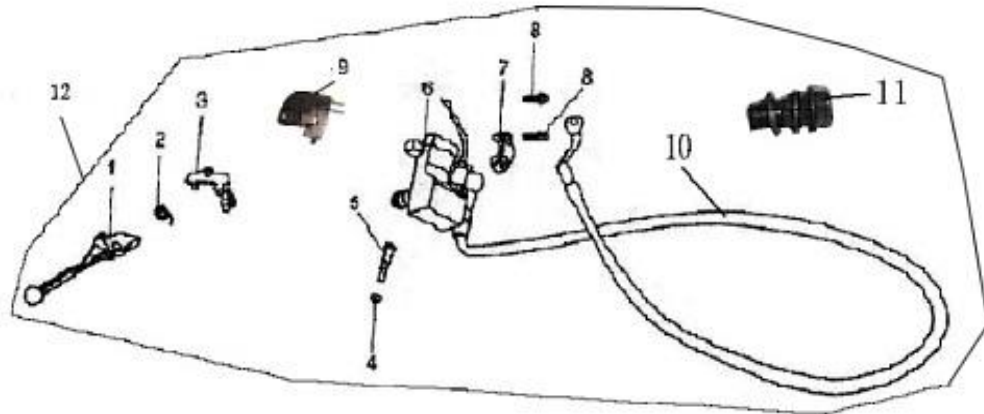
1	50QT-15-020202		speedometer cover	1
3	50QT-15-020203		Speedometer block sunshine cover	1
2	50QT-15-020204		speedometer groupware	1



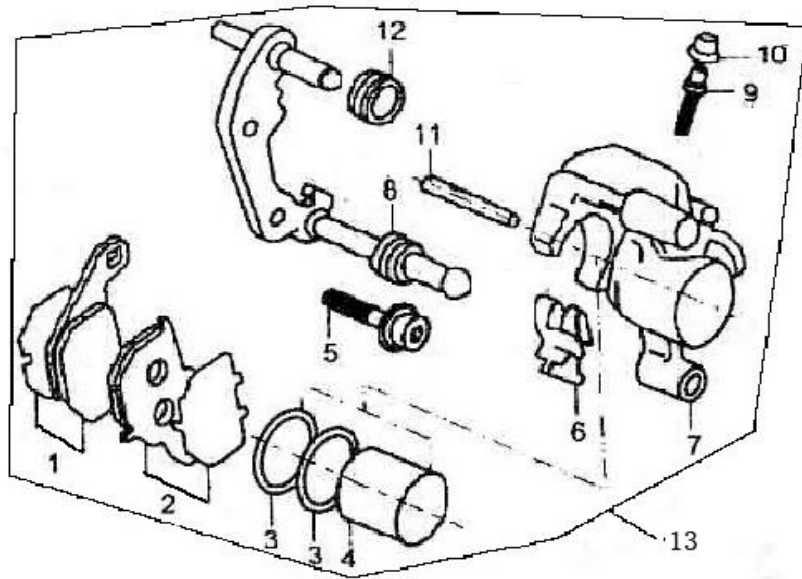


1	50QT-15-001000		L and R rearview moirror	1副
2	50QT-15-020101		L and R handle glove	1副
3	50QT-15-020102		L combination switch	1
4	50QT-15-020201		Speedometer below cover	1
5	50QT-15-020105		R combination switch	1
6	50QT-15-020104		Steering handle	1
7	50QT-15-020103		Back apply the brake haul cable	1
8	50QT-15-020106		Accelerograph haul cable	1

F-16

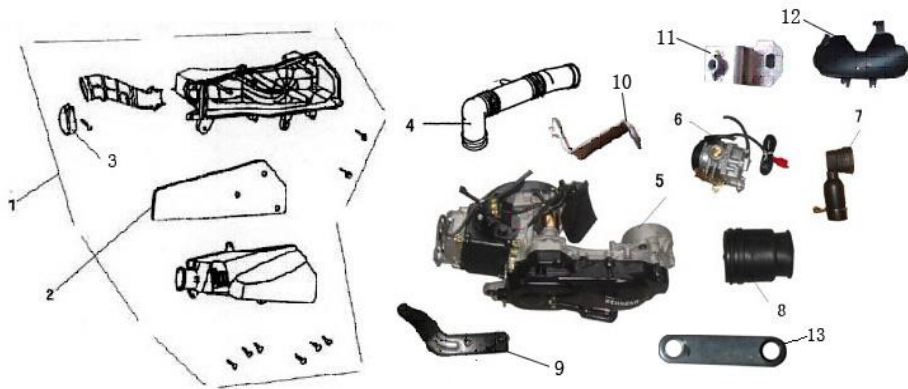


1	50QT-15-010301.1		Grip comp handle L	1
2	50QT-15-010301.2		Return spring	1
3	50QT-15-010301.3		Connecting socket	1
4	50QT-15-010301.4		Nut M5	1
5	50QT-15-010301.5		Bolt comp handle L	1
6	50QT-15-010301.6		Oil cylinder ,Fr brake comp	1
7	50QT-15-010301.7		Semicircle cap	1
8	50QT-15-010301.8		Bolt M6X22	2
9	50QT-15-010301.9		Switch, front stop	1
10	50QT-15-010301.10		oil pipe	1
11	50QT-15-010301.11		bolt,oil inlet	1
12	50QT-15-010301		Fr disc brake pump	1



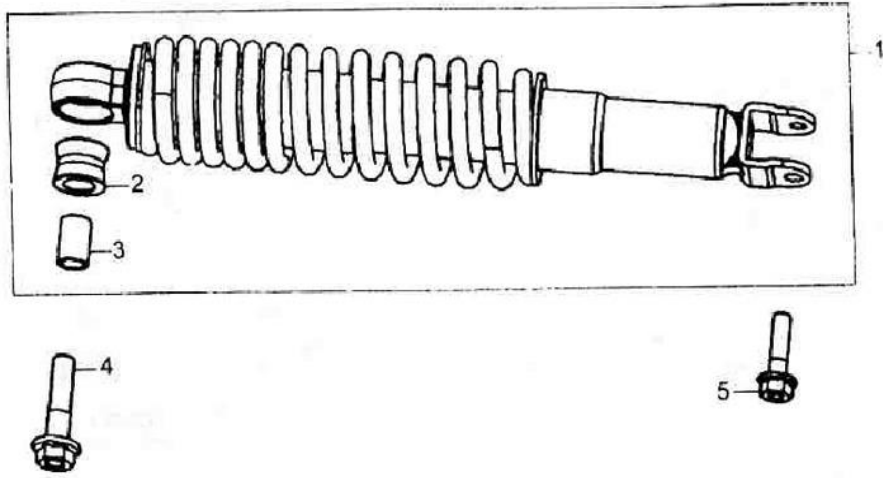
1(2)	50QT-15-010302.1		Disc brake piece	2
3	50QT-15-010302.2		Oil seal	2
4	50QT-15-010302.3		piston	1
5	50QT-15-010302.4		Apply the brake clamp bolt	1
6	50QT-15-010302.5		shrapnel	1
7	50QT-15-010302.6		Assistant cylinder	1
8	50QT-15-010302.7		insulator	1
9	50QT-15-010302.8		Exhaust bolt	1
10	50QT-15-010302.9		cover	1
11	50QT-15-010302.10		pin	2
12	50QT-15-010302.11		Protect cover	1
13	50QT-15-010302		Rr disc brake pump	1

F-18

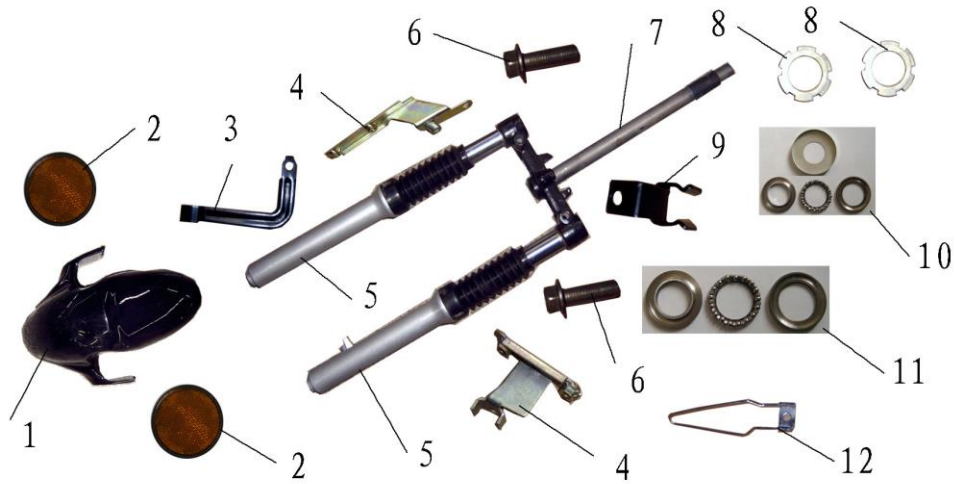


1	50QT-15-040401		Air filter groupware	1
2	50QT-15-040401.1		sponge in air filter	1
3	50QT-15-040401.2		air filter block hoop	1
4	50QT-15-040402		second-buring filter	1
5	50QT-15-040100		engine	1
6	50QT-15-040200		carburetor	1
7	50QT-15-040002		air colander enterwindpipe	1
8	50QT-15-040011		ventilate pipe groupware	1套
9	50QT-15-040700			1
10	50QT-15-040006		back wheel fender frame	1
11	50QT-15-040007		air filter frame (big)	1
12	50QT-15-040010		Rr wheel fender	1
13	50QT-15-040008		air filter frame (small)	1

F-19

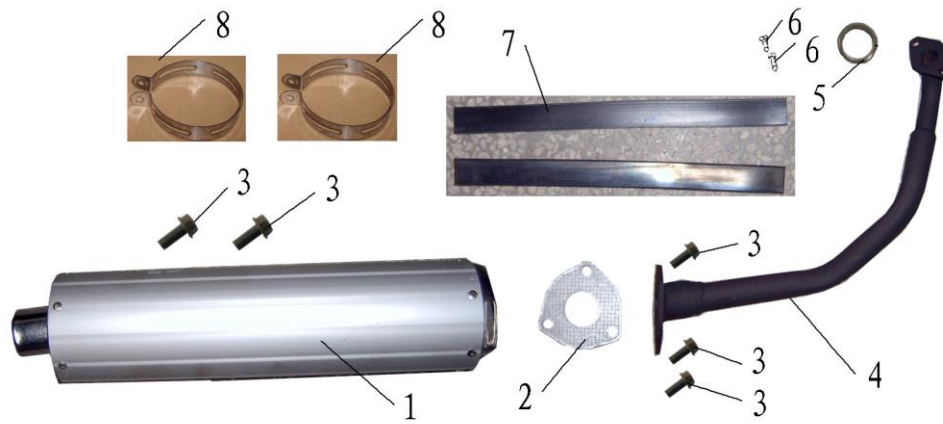


1	50QT-15-040300		Cushion assy Rr(R/L)	1
2	50QT-15-040300		Bush rubber	1
3	50QT-15-040300		Collar rubber	1
4	GB5787-86		Bolt flange M10X1.25X40	1
5	GB5787-86		Bolt flange M8X30	1



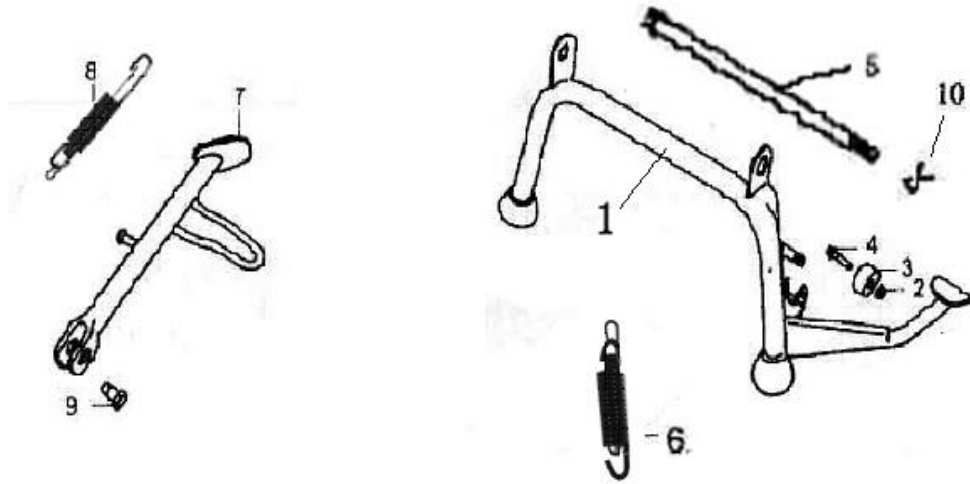
1	50QT-15-010003		Front wheel fender 3	1
2	50QT-15-010005		L and R side reflector implement	2
3	50QT-15-010008		Disc brake pump vitta thread nip ( I )	1
4	50QT-15-010006		Front wheel fender bracket	2
5	50QT-15-010102		Front absorber	2
6	GB5787-86		M10X38 six corner bolt	2
7	50QT-15-010101		Lower connection board	1
8	50QT-15-000003		Compaction nut	2
9	50QT-15-010009		Disc brake pump vitta thread nip ( II )	1
10	50QT-15-000001		Upper axletree groupware	1套
11	50QT-15-000002		Lower axletree groupware	1套
12	50QT-15-010007		Odograph soft axes nip	1

F-21



1	50QT-15-040801		muffler	1
2	50QT-15-040803		Vent-pipe heat insulation mat	1
3	GB5787-86		M8X25 six corner bolt	5
4	50QT-15-040802		Vent-pipe	1
5	50QT-15-040001		Washer	1
6	GB823-86		Cap nut M6	2
7	50QT-15-040013		Muffler block hoop rubber mat	2
8	50QT-15-040012		Muffler block hoop	2

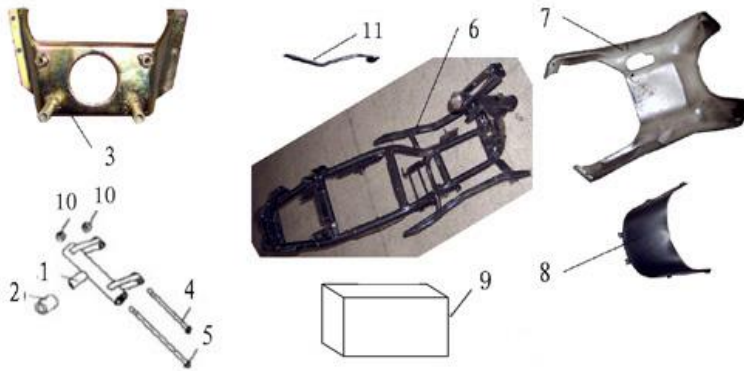
F-22



1	50QT-15-040901		Big support groupware	1
2	GB6187-86		Bolt flange M6	1
3	50QT-15-090010.2		Cushion pastern wheel	1
4	GB5787-86		Bolt flange M6X25	1
5	50QT-15-040902		Big support axis	1
6	50QT-15-040903		Big support haul spring	1
7	50QT-15-030400		Single support	1
8	50QT-15-030003		Single support haul spring	1
9	50QT-15-030002		Single support bolt	1
10	GB91-86		Split pin $\phi$ 1.6X25	1



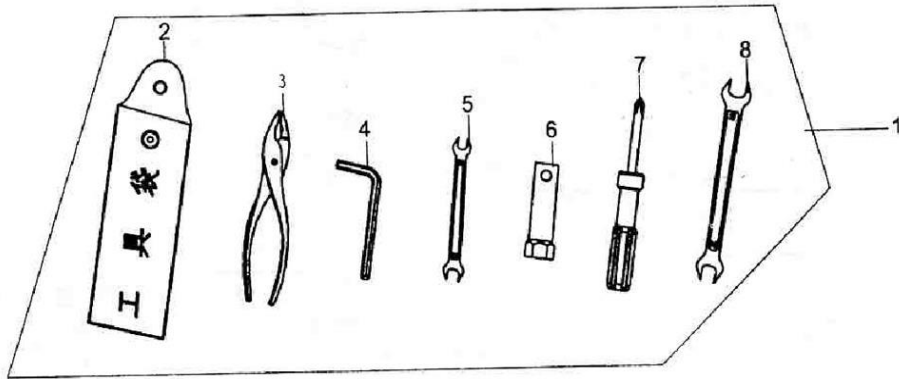
F-23



1	50QT-15-030600		Hang frame	1
2	50QT-15-090010.3		hang frame cushion set	1
3	50QT-15-030004		Oil box press board	1
4	50QT-15-000004		Condole frame axes I	1
5	50QT-15-000005		Condole frame axes II	1
6	50QT-15-030100		frame	1
7	50QT-15-030005		Fender frame	1
8	50QT-15-030006		Fender frame front	1
9	50QT-15-080000		the whole standard piece	1套
10	GB6177-86		Nut M10	2
11	50QT-15(1)-030200		Board bracket	1

F-24

Tools set



1	50QT-15-090030	Tool comp	1
2	50QT-15-090030.1	Tool bag	1
3	50QT-15-090030.2	Plier 165	1
4	50QT-15-090030.3	Wrench	1
5	50QT-15-090030.4	Wrench 10-12	1
6	50QT-15-090030.5	Collar comp spark plug	1
7	50QT-15-090030.6	Plincers	1
8	50QT-15-090030.7	Wrench 12-14	1