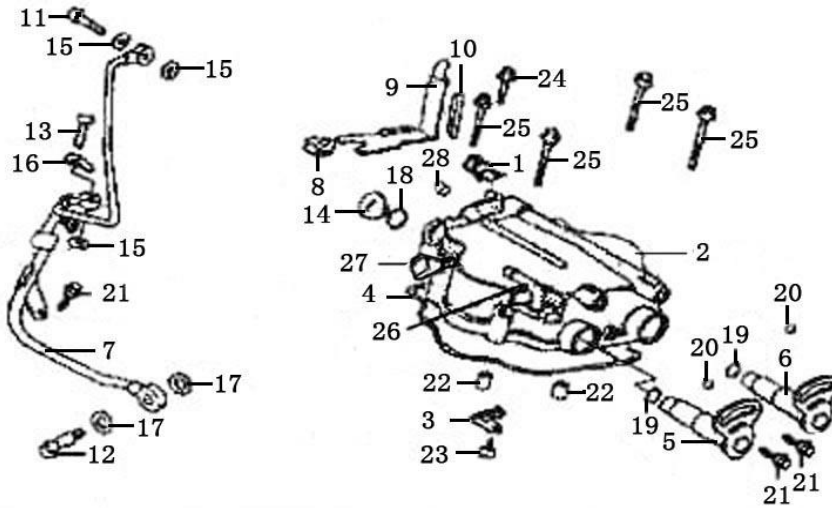


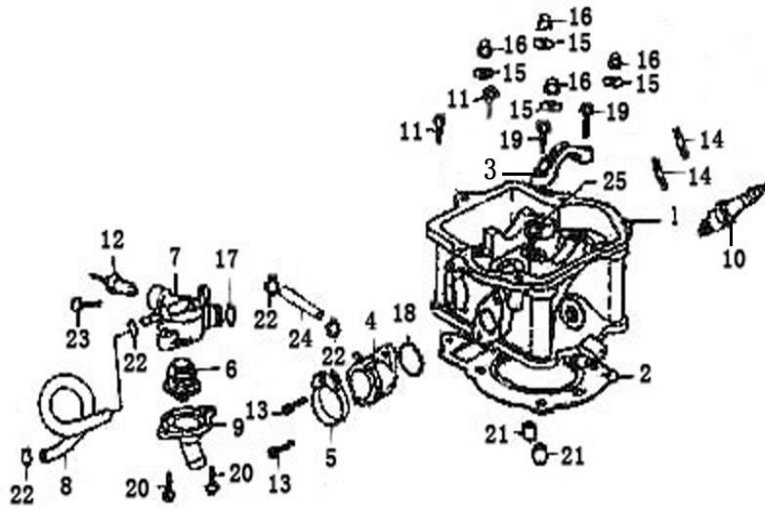


一、气缸头盖分总成



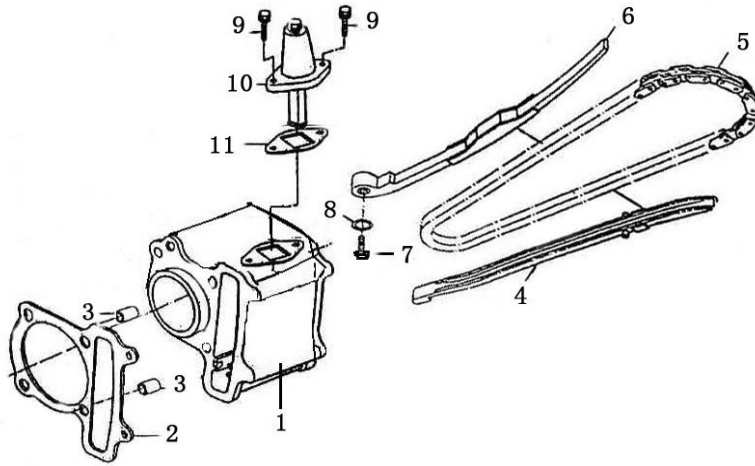
序号	图号	英文名称
No	Part no	Description
1	BN172MM-0100017	Filter Holder
2	BN172MM-0100001	Cover, Cylinder Head
3	BN172MM-0100002	Breather Plate
4	BN172MM-0100006	Cover Gasket
5	BN172MM-0100003	Shaft, Rocker Arm, Intake Valve
6	BN172MM-0100004	Shaft, Rocker Arm, Exhaust Valve
7	BN172MM-1200005	Oil Tube
8	BN172MM-1200009	Bracket, Oil Tube
9	BN172MM-1200013	Bracket, Vacuum Pipe
10	BN172MM-1200004	Cushion
11	GB/T31.1-1988	Oil Bolt A
12	GB/T31.1-1988	Oil Bolt B
13	GB/T31.1-1988	Oil Bolt C
14	BN172MM-0100008	Plug
15	GB97.1-1985	Copper Washer 8x15x1
16	GB97.1-1985	Angle Copper Washer 8x15x1
17	GB97.1-1985	Copper Washer 12.5x20x1.5
18	GB/T3452.1-1992	O-Ring 14x2.65
19	GB/T3452.1-1992	O-Ring 9.5x2.55
20	GB97.1-1985	Washer 6.5x12x0.7
21	GB/T5789-2000	
22	GB/T5787-1986	Dowel Pin
23	GB/T818-2000	
24	GB/T5789-2000	Hex Flange Screw
25	GB/T5789-2000	Hex Flange Screw
26	BN172MM-0100009	Breather Connector
27	BN172MM-0100016	
28	BN172MM-0100007	Oil Seal

二、气缸头分总成



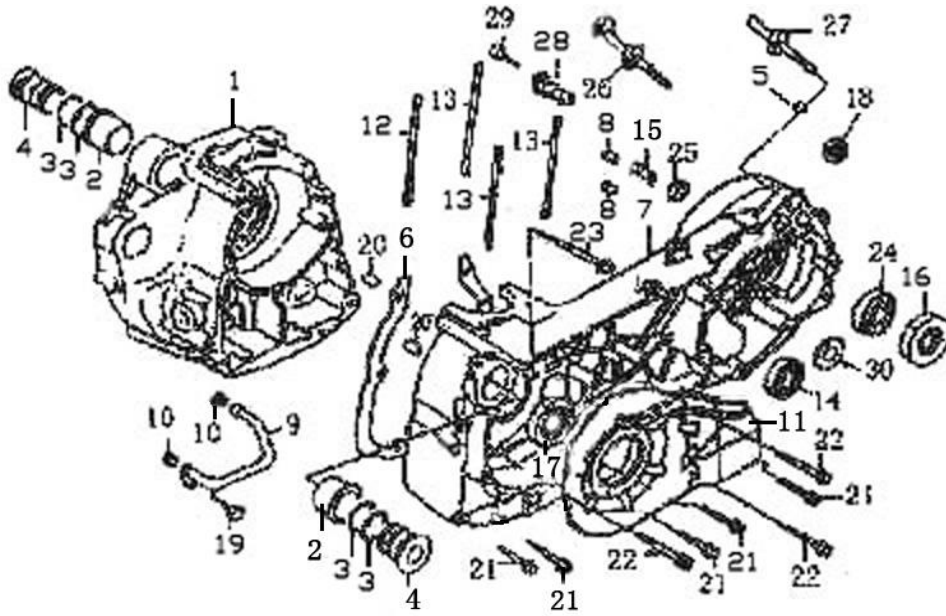
1	BN172MM-0200001	
2	BN172MM-0000001	Gasket, Cylinder Head
3	BN172MM-0200013	Camshaft Cover
4	BN172MM-0200014	Intake Tube
5	BN172MM-0200015	Clamp, Intake Tube
6	BN172MM-0500002	Thermostat
7	BN172MM-0500003	Cover, Thermostat
8	BN172MM-0500010	Water Hose
9	BN172MM-0500020	Base, Thermostat
10	BN172MM-0200011	Spark Plug
11	GB/T5789-2000	
12	BN172MM-0500015	Water Temperature Sending Unit
13	GB/T70.1-2000	
14	GB/T900-1988	Screw M8x41
15	GB97.1-1985	Copper Washer 8x17x2.5
16	GB/T923-1988	
17	GB/T3452.1-1992	O-Ring G15x1.8
18	GB/T3452.1-1992	O-Ring 30x3.55
19	GB/T5789-2000	
20	GB/T5789-2000	
21	GB/T5787-1986	
22	BN172MM-0500019	
23	GB/T5789-2000	
24	BN172MM-0400004	Hose
25	BN172MM-0200002	Water Seal

四、气缸分总成



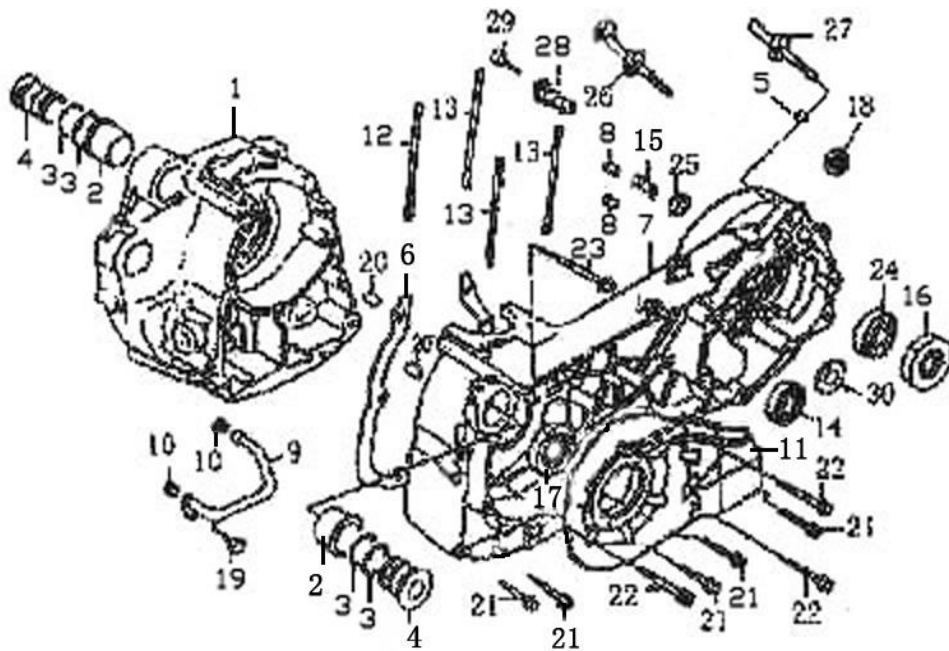
序号	图号	英文名称
No	Part no	Description
1	BN172MM-0300001	Cylinder
2	BN172MM-0000003	Gasket, Cylinder Base
3	GB/T5787-1986	
4	BN172MM-0300003	Cham Chain Guide
5	BN172MM-0300006	Timing Chain
6	BN172MM-0300002	Tensioner Body
7	GB/T5789-2000	
8	GB97.1-1985	
9	GB/T5789-2000	
10	BN172MM-0300004	
11	BN172MM-0300005	Gasket, Tensioner

五、左右曲轴箱体分总成



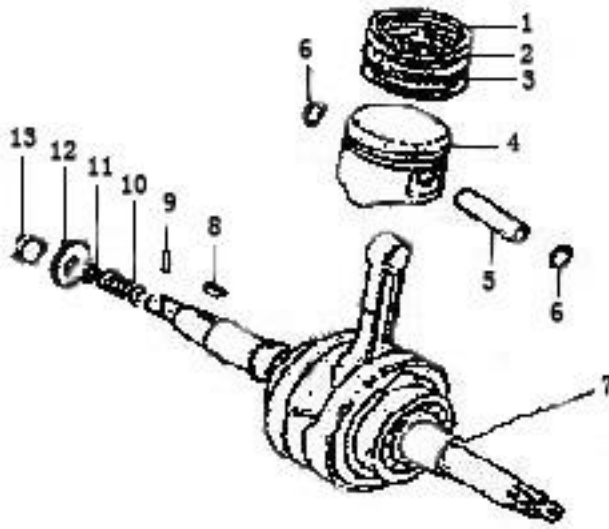
序号	图号	英文名称
No	Part no	Description
1	BN172MM-0800001	Right Crankcase Cover
2	BN172MM-0600010	Shock Tube, Outer
3	GB292-83	O-Ring 15.8x2.4
4	BN172MM-0600011	Shock Tube, Inner
5	GB/T3452.1-1992	O-Ring 7.5x1.5
6	BN172MM-0000002	
7	BN172MM-0600001	Left Crankcase
8	BN172MM-0600005	Rear Brake Washer
9	BN172MM-1200008	Inner Oil Pipe
10	BN172MM-1200012	Oil Pipe Clip
11	BN172MM-0600013	Insulation Board
12	GB/T900-1988	Stud M8 x 185
13	GB/T900-1988	Stud M8 x 177
14	GB/T276-1994	Bearing 6031
15	BN172MM-0600007	
16	BN172MM-0600003	Oil Seal 34x52x5

五. 左右曲轴箱体分总成



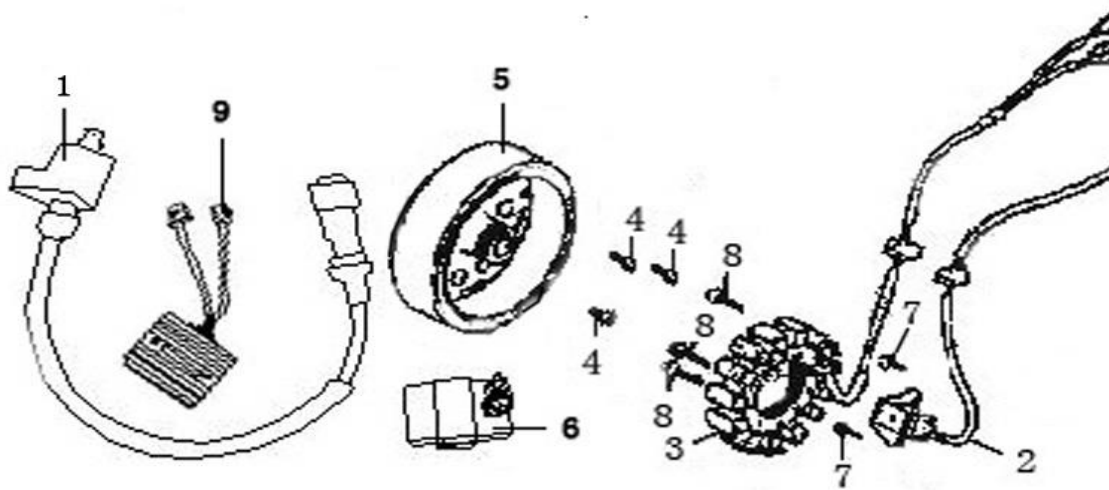
序号	图号	英文名称
No	Part no	Description
17	BN172MM-0600004	Oil Seal 28x40x8
18	GB/T6187.1-2000	
19	GB/T5789-2000	
20	GB/T5787-1986	
21	GB/T5789-2000	Flange Bolt M6x60
22	GB/T5789-2000	Flange Bolt M6x70
23	GB/T5789-2000	Flange Bolt M6x125
24	GB/T276-1994	Bearing 6205-RS
25	BN172MM-0600006	Oil Seal
26	BN172MM-0600002	Rear Suspension Axle
27	BN172MM-0600008	Dowel Pin
28	BN172MM-0600009	
29	GB/T5789-2000	
30	GB/T5801-1994	Bearing NK14/16

六、曲轴连杆活塞分总成



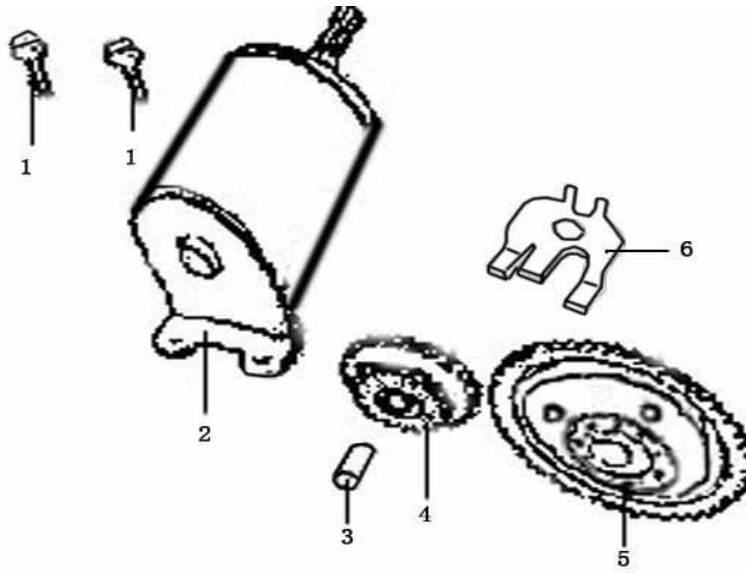
序号	图号	英文名称
No	Part no	Description
1	BN172MM-0700005	First Piston Ring
2	BN172MM-0700006	Second Piston Ring
3	BN172MM-0700007	Oil Ring
4	BN172MM-0700002	Piston
5	BN172MM-0700003	Piston Pin
6	BN172MM-0700004	Clip, Piston Pin
7	BN172MM-0700001	Crankshaft/Connecting Rod Assy
8	BN172MM-0700011	Woodruff Key 4x14x25
9	BN172MM-0700009	Dowel, Oil Pipe
10	BN172MM-0700010	
11	BN172MM-0700008	Oil Pipe
12	GB97.1-1985	Copper Washer 16x30x2
13	GB/T6177.2-2000	Flange Nut M16

七、点火系统分总成



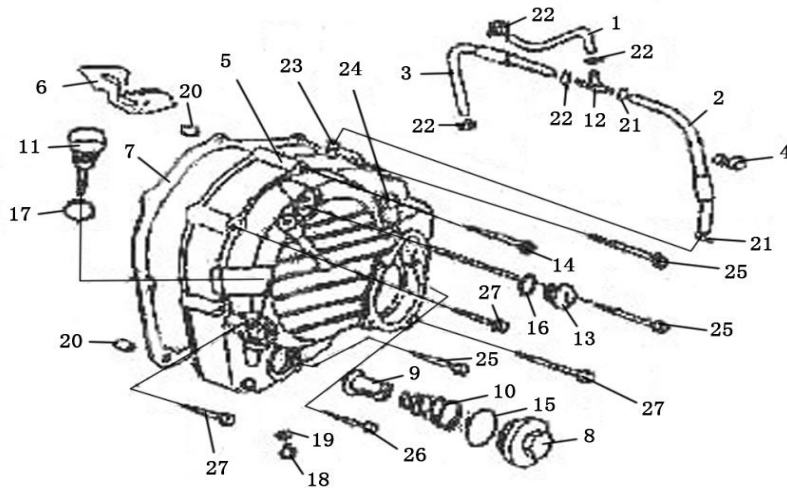
序号	图号	英文名称
No	Part no	Description
1	BN172MM-0900005	
2	BN172MM-0901003	
3	BN172MM-0901001	
4	GB/T70.1-2000	
5	BN172MM-0901002	
6	BN172MM-0900007	
7	GB/T5789-2000	
8	GB/T5789-2000	
9	BN172MM-0900006	

八、电起动分总成



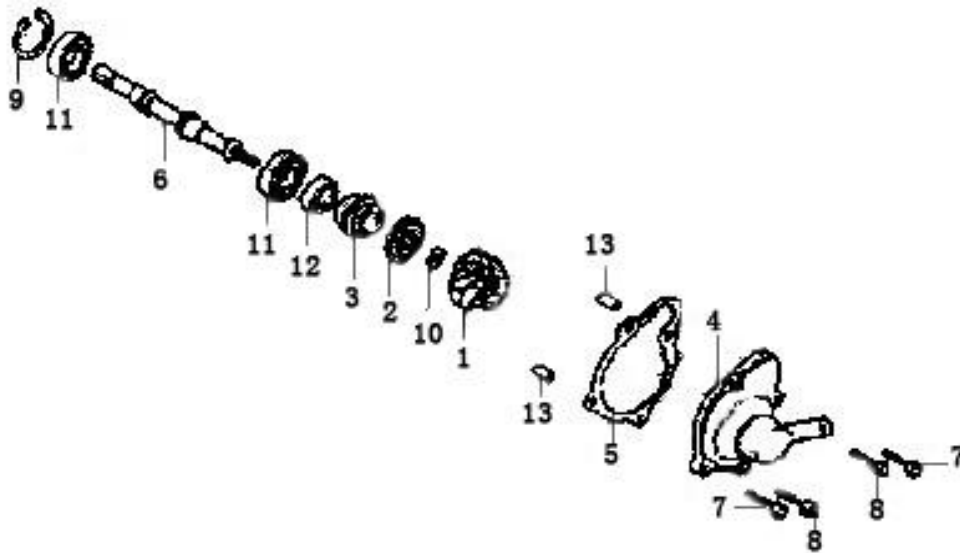
序号	图号	英文名称
No	Part no	Description
1	GB/T5789-2000	Hex Screw M6x22
2	BN172MM-1000004	Starter Motor
3	BN172MM-1000003	Shaft, Idler Gear
4	BN172MM-1000001	Idler Gear
5	BN172MM-1000005	Starter Clutch
6	BN172MM-1000002	Clutch Fixing Plate

九、右曲轴箱盖分总成



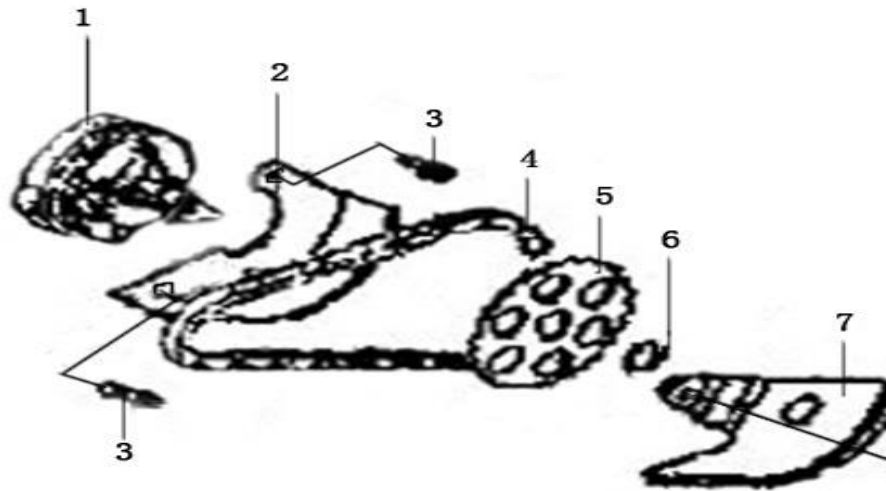
序号	图号	英文名称
No	Part no	Description
1	BN172MM-0100010	Breather Tube A
2	BN172MM-0100013	Breather Tube B
3	BN172MM-0100015	Breather Tube C
4	BN172MM-1200011	
5	BN172MM-1100001	Right Cover
6	BN172MM-0900001	
7	BN172MM-0000005	Gasket, Right Cover
8	BN172MM-1100013	Oil Plug
9	BN172MM-1100003	Oil Filter
10	BN172MM-1100002	Spring, Oil Filter
11	BN172MM-1100007	Oil Dipstick
12	BN172MM-0100012	Tube Connector
13	BN172MM-1100014	
14	GB/T5789-2000	
15	GB/T3452.1-1992	O-Ring 30.8x3.2
16	GB/T3452.1-1992	O-Ring 13x2.8
17	GB/T3452.1-1992	O-Ring 18x3.55
18	BN172MM-1100010	Plug
19	GB97.1-1985	Copper Washer 10x15x1.5
20	GB/T5787-1986	
21	BN172MM-0100014	
22	BN172MM-0100011	
23	BN172MM-1100012	Air Connector
24	BN172MM-1100016	Coolant Connector
25	GB/T5789-2000	
26	GB/T5789-2000	Plug M6x28
27	GB/T5789-2000	

十、水泵分总成



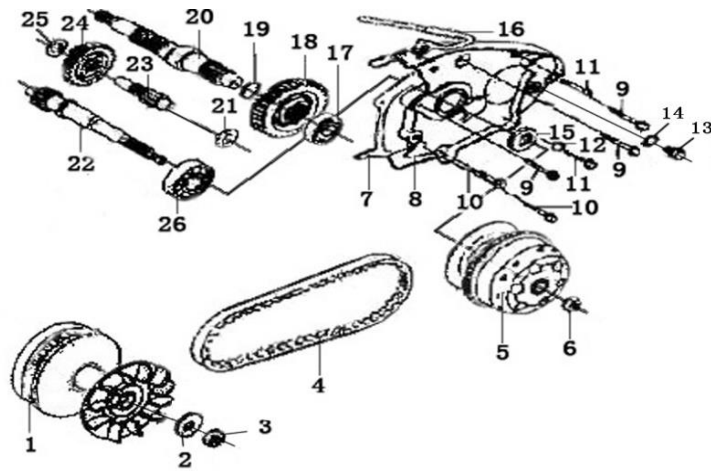
序号	图号	英文名称
No	Part no	Description
1	BN172MM-1100005	Impeller
2	BN172MM-1100011	Seal Cover
3	BN172MM-1100015	Water Seal
4	BN172MM-1100006	Cover, Water Pump
5	BN172MM-1100008	Gasket, Water Pump Cover
6	BN172MM-1100009	Shaft, Water Pump
7	GB/T5789-2000	
8	GB/T5789-2001	
9	GB893.1-1986	
10	GB97.1-1985	
11	GB/T276-1994	
12	BN172MM-1100004	
13	GB/T5787-1986	

十一、机油泵分总成



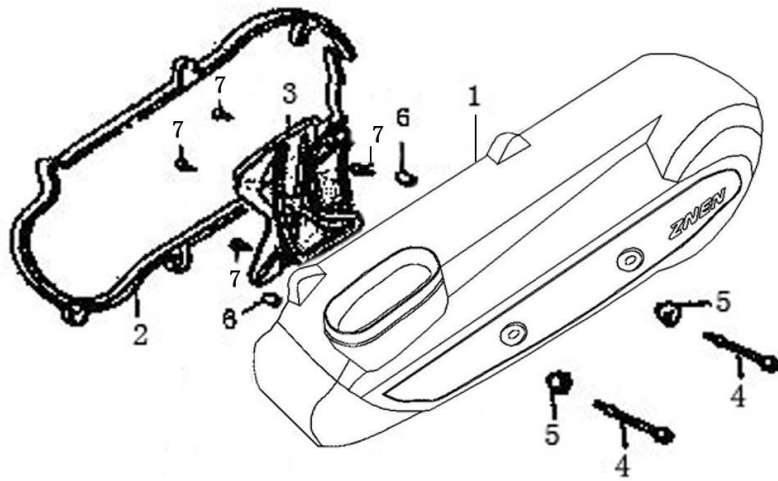
序号	图号	英文名称
No	Part no	Description
1	BN172MM-1200002	Oil Pump
2	BN172MM-1200006	Oil Separator, Rear
3	GB/T5789-2000	
4	BN172MM-1200010	Chain, Oil Pump
5	BN172MM-1200001	Drive Sprocket
6	GB894.1-1986	
7	BN172MM-1200007	Oil Separator, Front
8	GB/T5782-2000	

十二、传动系统分总成



序号	图号	英文名称
No	Part no	Description
1	BN172MM-1300005	Drive Pulley Assy
2	GB97.1-1985	Washer 14x28x2
3	GB/T6173-2000	Nut M14x1.5
4	BN172MM-1300008	Drive Belt
5	BN172MM-1300002	Clutch Assembly
6	GB/T6177.1-2000	Nut M12x1.25
7	BN172MM-0000004	Gasket, Gear Box Cover
8	BN172MM-1300001	Gear Box Cover
9	GB/T5789-2000	Hex Screw M8x38
10	GB/T5789-2000	Hex Screw M8x28
11	GB/T5789-2000	Hex Screw M6x30
12	GB97.1-1985	Copper Washer 6.5x14x1.5
13	GB/T5789-2000	
14	GB97.1-1985	
15	BN172MM-1300009	Oil Seal 22x35x6
16	BN172MM-1300003	Breather Tube, Gear Box
17	GB/T276-1994	
18	BN172MM-1300006	Final Gear
19	GB894.1-1986	Countershaft 24
20	BN172MM-1300004	Final Shaft
21	GB292-1983	Ball Bearing 14/16
22	BN172MM-1300007	Drive Shaft
23	BN172MM-1300010	Idler Shaft
24	BN172MM-1300011	Idler Gear
25	GB97.1-1985	
26	GB/T276-1994	

十三、左曲轴箱盖分总成



序号	图号	英文名称
No	Part no	Description
1	BN172MM-1400001	COVER L
2	BN172MM-0000006	GASKETT COVER L
3	BN172MM-1400002	PLATE COVER
4	BN172MM-1400004	BOLT SIDE-COVER M6x132
5	BN172MM-1400003	RUBBER WASHER
6	GB/T5787-1986	PIN 10x16
7	GB/T818-2000	CROSSING SCREW M5x8

数量
Qty
1
1
1
1
1
1
1
1
1
1
1
1
1
1
1
1
1
1
3
1
2
1
2
2
2
3
2
1
1
4
1
1
1

1
1
1
1
1
1
1
1
1
1
1
1
2
1
2
2
4
4
1
1
2
2
2
4
1
1
1

数量
Qty
1
1
2
1
1
1
1
1
1
2
1
1

数量
Qty
1
2
4
2
1
1
1
2
1
2
1
2
1
1
3
1
1
1



数量
Qty
1
1
1
3
1
1
2
3
1

数量
Qty
2
1
1
1
1
1

数量
Qty
1
1
1
1
1
1
1
2
2
1
1
2
1
2

数量
Qty
1
1
1
2
2
2
4