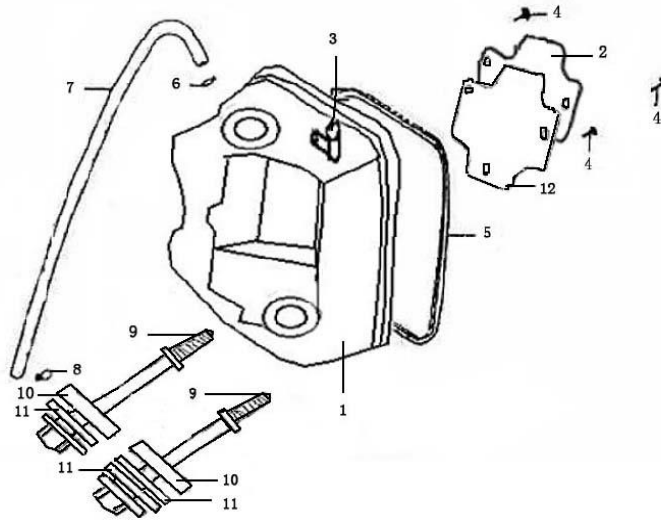


# BN157QMJ-3小绵羊发动机 150T -18 FLATUS

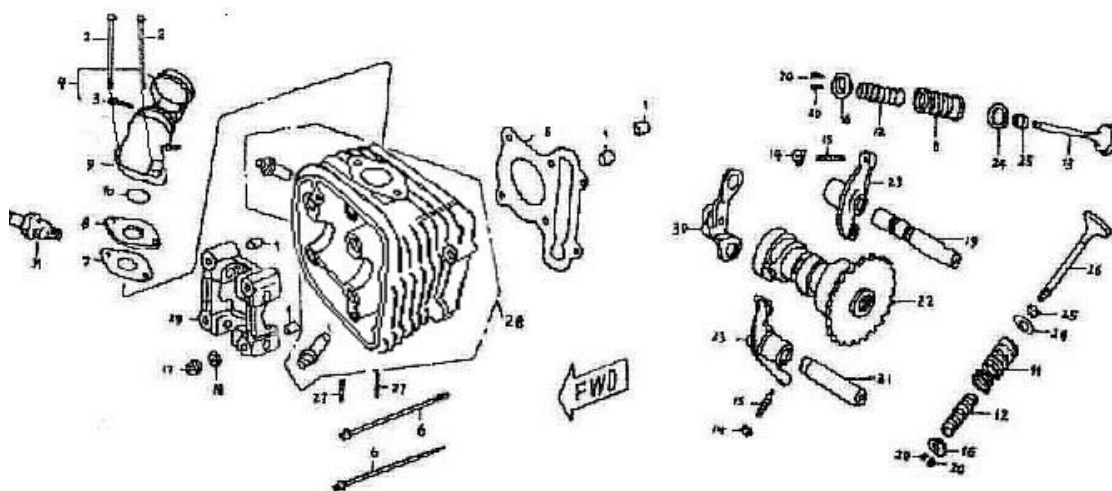


E-1气缸头盖组  
Cylinder Head Cover



序号 No	图号 Part no	中文名称 Chinese	英文名称 Description	数量 Qty
1	BN152QML-3-0100001	气缸头盖	COVER COMP CYLINDER HEAD	1
2	BN152QML-3-0100002	通气压板	PRESSURE PLATE BREATHER	1
3	BN152QML-0101000	通气管组	TUBE BREATHER	1
4	GB845-1985	自攻螺钉ST4.2×8-F-H	SCREW ST4.2×8-F-H	3
5	BN152QML-3-0100003	头盖垫圈	GASKET HEAD COVER	1
6	BN152QML-0100004	通气管夹A	CLIP TUBE(A)	1
7	BN152QML-0100005	通气导管	AIR TUBE	1
8	BN152QML-0100006	通气管夹B	CLIP TUBE(B)	1
9	BN152QML-3-0100007	气缸头盖紧固螺栓	BOLT M6	2
10	BN152QML-3-0100008	橡胶垫12×21×4.8	rubber mat12×21×4.8	2
11	BN152QML-3-0100009	塑料垫12×22×1.5	plastic mat12×22×1.5	3
12	BN152QML-3-0100010	通气压板垫片	PRESSURE PLATE BREATHER	1

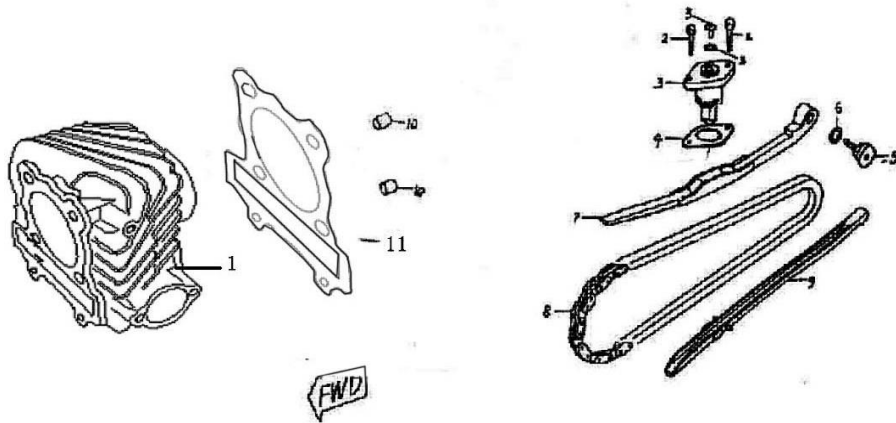
E-2气缸头  
Cylinder Head



序号	图号	中文名称	英文名称	数量
No	Part no	Chinese	Description	Qty
1	BN152QMI-0200001	定位销	PIN DOWEL	4
2	GB5787-86	螺栓M6×85	BOLTM6×85	2
3	GB818-85	螺钉M4×25	BOLT FLANGE M4×25	1
4	BN152QMI-0202001	管夹组	CLIP TUBE ASSY	1
5	BN157QMJ-3-0000002	汽缸头垫片	GASKET CYLINDER HEAD	1
6	GB5787-86	六角法兰面螺栓M6×100	HEXAGEN FLANGE SCREW	2
7	BN152QMI-0200003	隔热板垫片	GASKET CARBURETOR INSULATOR	1
8	BN152QMI-0200004	化油器隔热板	INSULATOR CARBURETOR	1
9	BN152QMI-3-0202000	进气管组	INTAKE TUBE ASSY	1
10	BN152QMI-0200005	O环27×2.0	O RING 27×2.0	1
11	BN152QMI-0200006	气门外弹簧	SPRING VALVE OUTER	2
12	BN152QMI-0200007	气门内弹簧	SPRING VALVE INNER	2
13	BN152QMI-3-0200008	进气门	VALVE INTAKE	1
14	BN152QMI-0208002	调整螺丝固定螺母	NUT TAPPET ADJUSTING	2
15	BN152QMI-0208003	调整螺丝	SCREW TAPPET ADJUSTING	2
16	BN152QMI-0200011	气门弹簧保持器	RETAINER VALVE SPRING	2
17	GB6177-86	螺母M8	NUT M8	4
18	GB97.2-85	垫圈8	WASHER 8	4
19	BN152QMI-0203000	进气门摇臂轴组	SHAFT COMP INTAKE VALVE	1
20	BN152QMI-0200012	气门夹锁	VALVE CONE HALF	4
21	BN152QMI-0200013	排气门摇臂轴	SHAFT EXVALVE ROCKER ARM	1
22	BN152QMI-3-0204000	凸轮轴组	CAMSHAFT GROUP	1
23	BN152QMI-3-0200014	气门摇臂	ROCKER ARM	2
24	BN152QMI-0200015	气门弹簧座	VALVE SPRING RETAINER	1
25	BN152QMI-0205000	气门油封组	VALVE OIL SEAL ASSY	2
26	BN152QMI-3-0200016	排气门	EXHAUST VALVE	1
27	GB901-86	双头螺柱M8×32	DOUBLE END STUDS M8×32	2
28	BN157QMJ-3-0206000	汽缸头组	CYLINDER HEAD ASSY	1
29	BN157QMJ-3-0200017	凸轮轴固定座	HOLDER CAMSHAFT	1
30	BN152QMI-0207000	单向制止器组	SINGLE STOPPER COMP	1
31	BN152QMI-0200018	火花塞	SPARK PLUG	1

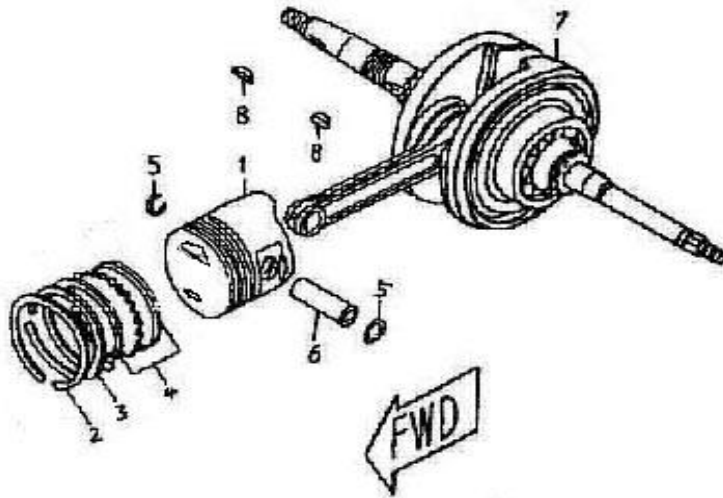
E-3气缸体组

Cylinder



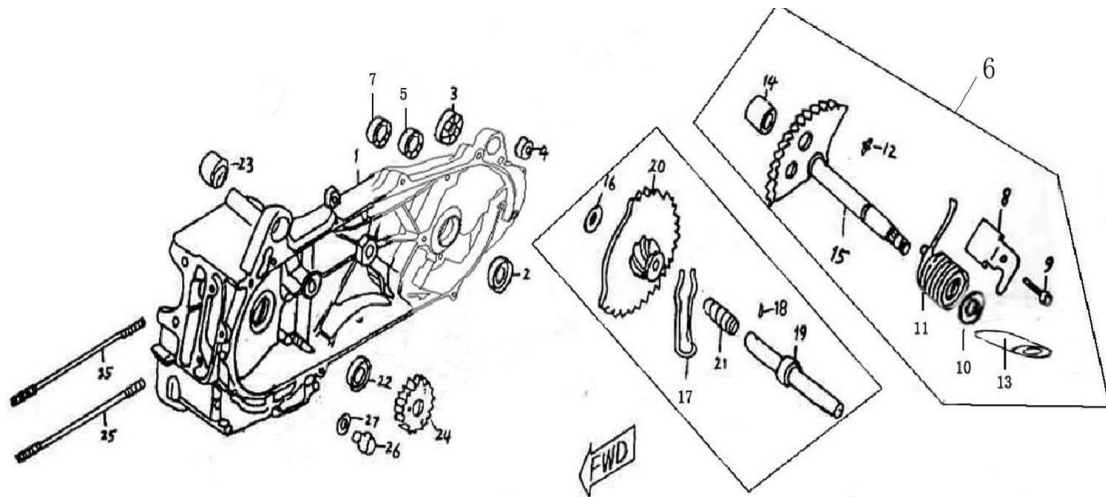
序号	图号	中文名称	英文名称	数量
No	Part no	Chinese	Description	Qty
1	BN157QMJ -3-0301000	气缸体	CYLINDER ASSY	1
2	GB5787-86	螺栓M6×22	BOLT M6×22	2
3	BN152QMI-3-0302000	链条调整器组	CHAIN ADJUSTER ASSY	1
4	BN152QMI-0300001	链条调整垫片	GASKET CHAIN ADJUSTER	1
5	BN152QMI-3-0300002	拉力杆螺钉	CAM CHAIN SCREW	1
6	BN152QMI-0300003	O环15.2×1.5	O-RING 15.2×1.5	1
7	BN152QMI-0303000	链条张紧杆组	TENSION ROD CHAIN	1
8	BN157QMJ -3-0304000	凸轮轴内链条	CHAIN CAM	1
9	BN152QMI-0305000	链条导杆组	GUIDE COMP CHAIN	1
10	BN152QMI-0200001	定位销10×16	PIN DOWEL 10×16	2
11	BN157QMJ -3-0000001	汽缸垫片	GASKET CYLINDER	1

E-4 曲轴·连杆·活塞组件  
Crankshaft • Connecting Rod • Piston



序号 No	图号 Part no	中文名称 Chinese	英文名称 Description	数量 Qty
1	BN157QMJ-3-0900001	活塞	PISTON	1
2	BN157QMJ-0900002	第一道镀铬环	FIRST PISTON RING	1
3	BN157QMJ-0900003	第二道磷化环	SECOND PISTON RING	1
4	BN157QMJ-0901000	钢带组合油环	PISTON OIL RING	1
5	BN157QMJ-0900004	活塞销卡簧	CLIP PISTON PIN	2
6	BN157QMJ-0900005	活塞销	PISTON PIN	1
7	BN152QMI-3-0902000	曲轴连杆组合	CRANKSHAFT CONNECTING-ROD	1
8	BN152QMI-0900006	半圆键	WOODRUFF KEY	2

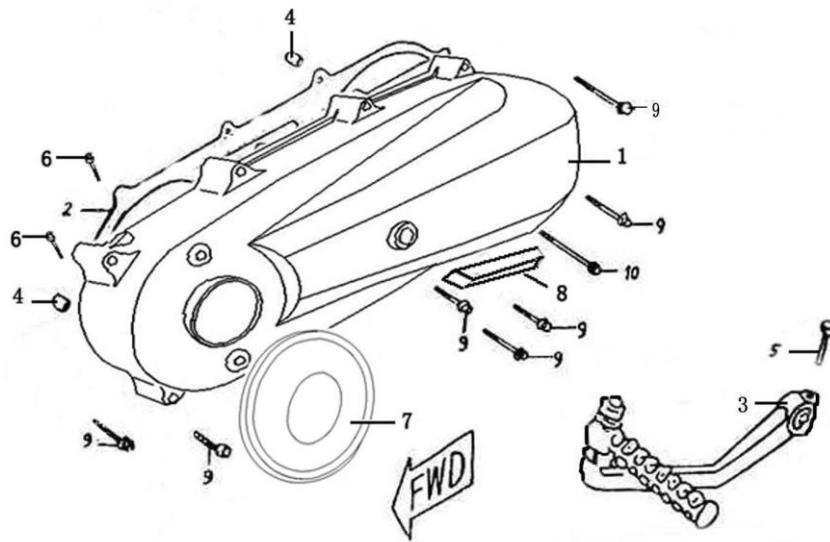
E-5 左曲轴箱体组  
Crankcase



序号	图号	中文名称	英文名称	数量
No	Part no	Chinese	Description	Qty
1	BN152QMI-3-0601000	左曲轴箱体组	CRANDCASE ASSY-L	1
2	BN152QMI-3-0600001	油封22×35×6	OIL SEAL 22×35×6	1
3	GB292-83	轴承6004-2RS	BEARING RADIAL BALL6004	1
4	BN152QMI-3-0607000	吊架衬套组	SHOCK ABSORBER TUBE	1
5	GB292-83	轴承6202	BEARING RADIAL BALL 6202	1
6	BN152QMI-3-0605000	起动轴组	starter axis groupware	1
7	GB292-83	轴承62/22	BEARING RADIAL ALL 62/22	1
8	BN152QMI-0600002	起动杆回位制止板	PLATE KICK RETURN STOPPER	1
9	GB5787-86	螺栓M6×14	BOLT M6×14	1
10	BN152QMI-0605002	起动轴垫片	starter axis washer	1
11	BN152QMI-0605003	起动弹簧	SPRING KICK STARTER	1
12	BN152QMI-0605004	物殊销	PIN SPECIAL	1
13	BN152QMI-3-0605005	衬套A	bush A	1
14	BN152QMI-0605006	衬套B	bush B	1
15	BN152QMI-3-0605001	起动轴	starter axis	1
16	BN152QMI-0606002	垫圈	WASH	1
17	BN152QMI-3-0606003	起动摩擦弹簧	SPRING STARTER GEAR FRICTIDN	1
18	GB119-86	销B3×8	PIN B3×8	1
19	BN152QMI-0606004	起动惰轮驱动轴	SHAFT STARTER IDLE	1
20	BN152QMI-3-0606001	起动惰轮组	GEAR COMP STARTER IDLE ASSY	1
21	BN152QMI-0606005	惰齿轮弹簧	SPRING STARTER IDLE	1
22	BN152QMI-0600011	油封19.8×30×5	OIL SEAL19.8×30×5	1
23	BN152QMI-3-0602000	减震套组	BUSH	1
24	BN152QMI-3-0600012	起动从动齿轮	GEAR KICK DRIVEN	1
25	BN152QMI-3-0600013	双头螺柱M8×208	DOUBLE END STUDS	2
26	BN152QMI-0600014	放油螺塞	OIL PLUG	1
27	GB95-1985	垫圈12	WASHER 12	1

## E-6 左曲轴箱盖组

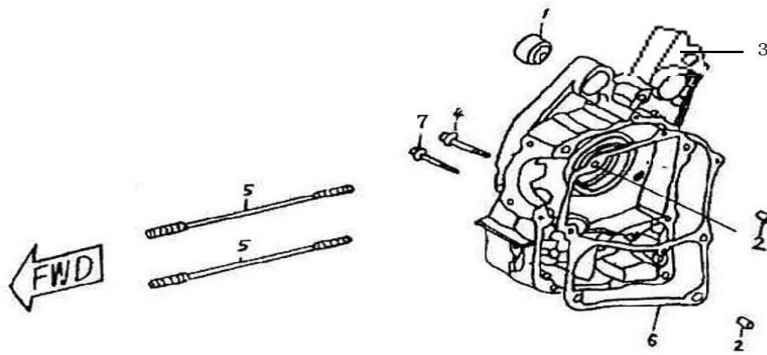
### Left Crankcase Cover



序号	图号	中文名称	英文名称	数量
No	Part no	Chinese	Description	Qty
1	BN152QMI-3-1600001	左曲轴箱盖	COVERL	1
2	BN152QMI-3-0000006	左曲轴箱盖垫片	GASKETT LCOVER	1
3	BN152QMI-1602000	脚起动踏杆组	ARM ASSY KICK STARER	1
4	BN152QMI-0200001	定位销	PIN DOWEL	2
5	GB5787-86	螺栓M6×25	nut M6×25	1
6	GB845-85	十字盘头螺钉M6×12	snail M6×12	2
7	BN152QMI-1603000	侧盖空滤器组	PLATEL COVER	1
8	BN152QMI-3-1600006	大撑挡板	FIXING STAND	1
9	GB5787-86	螺栓M6×40	BOLT M6×40	7
10	GB5787-86	螺栓M6×55	BOLT M6×55	1

E-7 右曲轴箱体组

Crankcase R

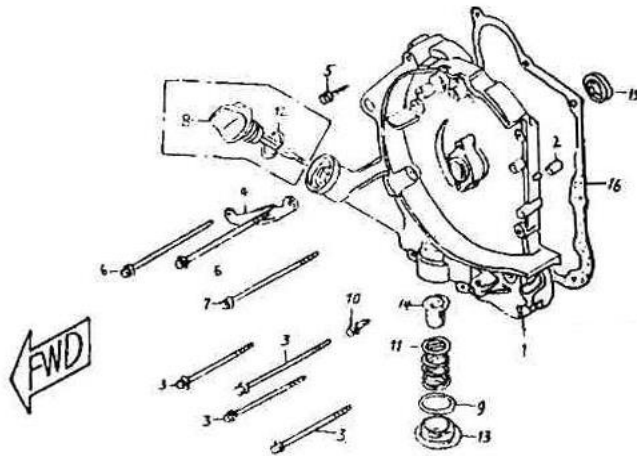


序号	图号	中文名称	英文名称	数量
No	Part no	Chinese	Description	Qty
1	BN152QMI-3-0602000	减震套组	BUSH ENGINE HANGER	1
2	BN152QMI-1000001	定位销8×14	PIN DOWEL8×14	2
3	BN152QMI-3-1002000	右曲轴箱体组	CRANKCASE ASSY	1
4	GB5787-86	螺栓M6×50	BOLT M6×50	1
5	BN152QMI-3-1000002	双头螺柱M8×200	DOUBLE END STUDS M8	2
6	BN152QMI-0000004	右曲轴箱垫片	GASKET CRAKDCASER	1
7	GB5787-86	螺栓M6×55	BOLT M6×55	1



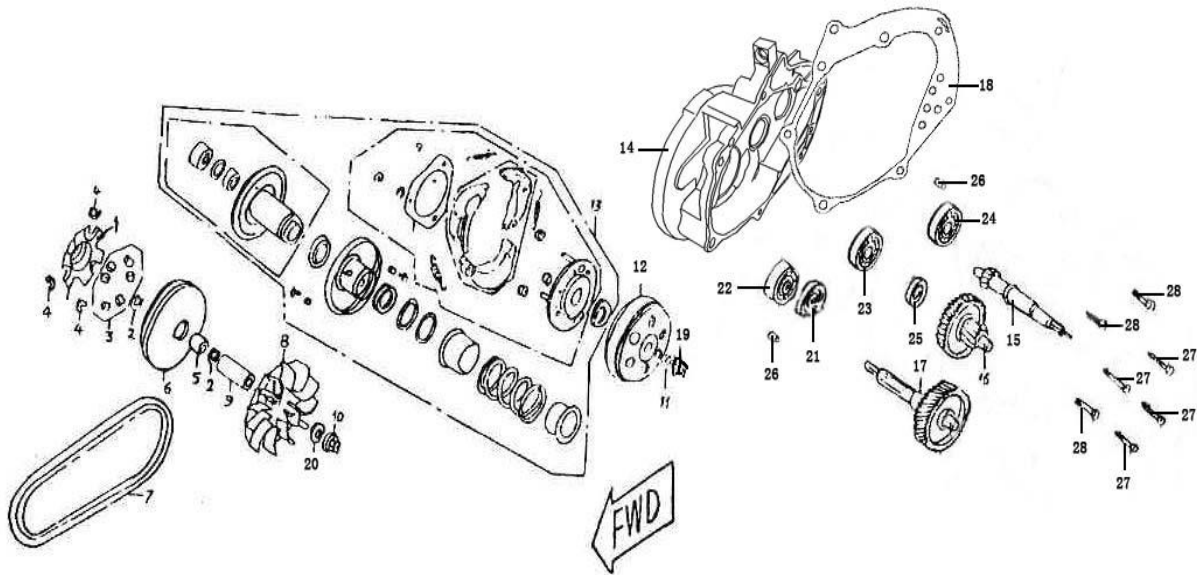
# E-8 右曲轴箱盖组

## Right Crankcase Cover



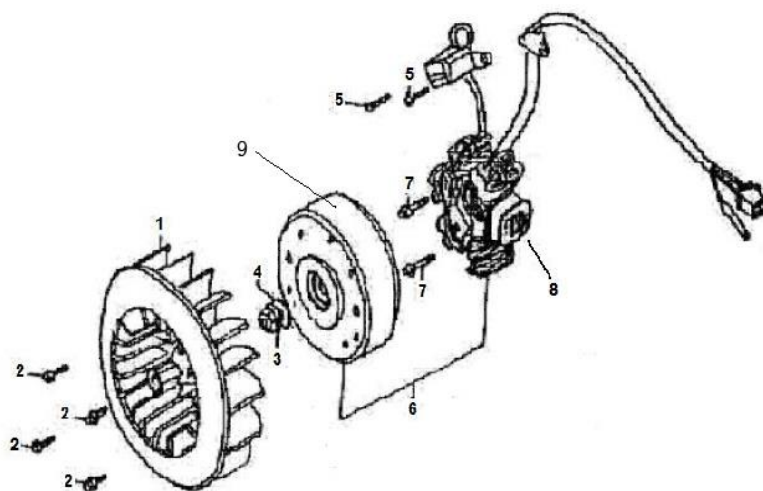
序号	图号	中文名称	英文名称	数量
No	Part no	Chinese	Description	Qty
1	BN152QMI-1300001	右曲轴箱盖	COVER R CRANKCASE COMP	1
3	GB5787-86	螺栓M6×95	BOLT M6×95	4
4	BN152QMI-1300003	磁电机线夹	CLAMPER MAGNETO	1
5	GB5787-86	螺栓M6×40	BOLT M6×40	1
6	GB5787-86	螺栓M6×110	BOLT M6×110	2
7	GB5787-86	螺栓M6×100	BOLT M6×100	1
8	BN152QMI-1300004	机油标尺	OIL LEVEL STICK	1
9	BN152QMI-1300007	O环30.8 x3.1	O RING30.8x3.1	1
10	GB5787-86	螺栓M6×32	BOLT M6×32	1
11	BN152QMI-1300006	滤油网弹簧	SPRING OIL FILTER MESH	1
12	BN152QMI-1300005	O环18×3	O RING18×3	1
13	BN152QMI-1300008	滤油网螺帽盖	CAP OIL FILTER	1
14	BN152QMI-1301000	滤油网	MESH OIL FILTER	1
15	BN152QMI-0600011	油封19.8×30×5	OIL SEAL19.8×30×5	1
16	BN152QMI-0000003	右曲轴箱盖垫片	GASKET R CRANKCASE COVER	1

E-9 传动系统  
Transmission



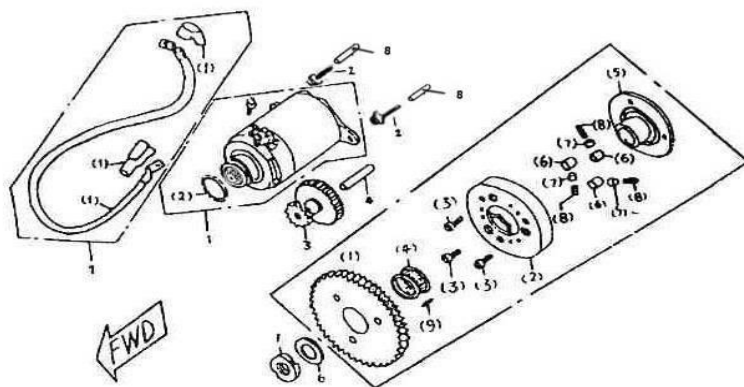
序号 No	图号 Part no	中文名称 Chinese	英文名称 Description	数量 Qty
1	BN152QMI-3-1501002	斜坡板	PLART RAMP	1
2	BN152QMI-3-1501003	环夹	CLIP	1
3	BN152QMI-3-1501004	配动滚子	ROLLER SET WEIGHT	6
4	BN152QMI-3-1501005	斜坡板边件	PIECE SLIDE	3
5	BN152QMI-3-1501006	套筒	COLLAR DRIVE FACE	1
6	BN152QMI-3-1501001	滑动式驱动盘	FACE COMP MOVABLE DRIVE	1
7	BN152QMI-3-1500006	驱动皮带	BELT DRIVE	1
8	BN152QMI-3-1501007	驱动皮带扇风盘	FACE DRIVE	1
9	BN152QMI-3-1501008	衬套	BOSS DRIVE FACE	1
10	GB6181-86	螺母M14×1.25	NUT M14×1.25	1
11	BN152QMI-1500009	垫圈	WASHER	2
12	BN152QMI-3-1502002	离合器外套	OUTER CLUTCH	1
13	BN152QMI-3-1502001	从动皮带轮组	RULLEY ASSY DRIVEN	1
14	BN152QMI-3-1504004	齿轮室盖	GEAR BOX CASE ASSY	1
15	BN152QMI-3-1500010	驱动轴	SHAFT DRIVE	1
16	BN152QMI-3-1505001	副轴组	COUNTERSHAFT COMP	1
17	BN152QMI-3-1500011	最终轴	SHAFT FINAL	1
18	BN152QMI-3-0000005	齿轮室盖垫片	GASKET GEAR BOX COVER	1
19	GB6187-1986	薄法兰螺母M12×1.25	thin flange nut M12×1.25	1
20	GB95-1985	平垫片17×28×1.5	flat washer 17×28×1.5	1
21	BN152QMI-3-1504001	油封34×52×5	OIL SEAL34×52×5	1
22	GB/T276-1994	轴承6205RS	BEARING RADIAL BALL6205	1
23	GB/T276-1994	轴承6201	BEARING RADIAL BALL 6201	1
24	GB/T276-1994	轴承6301	BEARING RADIAL BALL 6301	1
25	GB95-1985	平垫圈14.5×27×1	flat washer 14.5×27×1	1
26	BN152QMI-0200001	定位销10×16	PIN DOWEL10×16	2
27	GB5787-86	螺栓M8×45	BOLT M6×45	4
28	GB5787-86	螺栓M8×55	BOLT M6×55	3

E-10发电机  
Generator



序号	图号	中文名称	英文名称	数量
No	Part no	Chinese	Description	Qty
1	BN152QMI-1101000	冷却风扇组	FAN COMP COOLING	1
2	GB5787-86	螺栓M6×18	BOLT M6×18	4
3	GB6187-1986	螺母M12	NUT M12	1
4	GB95-1985	垫圈	WASHER	1
5	GB5787-86	螺栓M5×12	BOLT M5×12	2
6	BN152QMI-1102000	磁电机组	MAGNETO ASSY	1
7	GB5787-86	螺栓M6×25	BOLT M6×25	2
8	BN152QMI-1102001	电机定子	STATOR,GENERATOR	1
9	BN152QMI-1102002	电机转子	ROTOR,GENERATOR	1

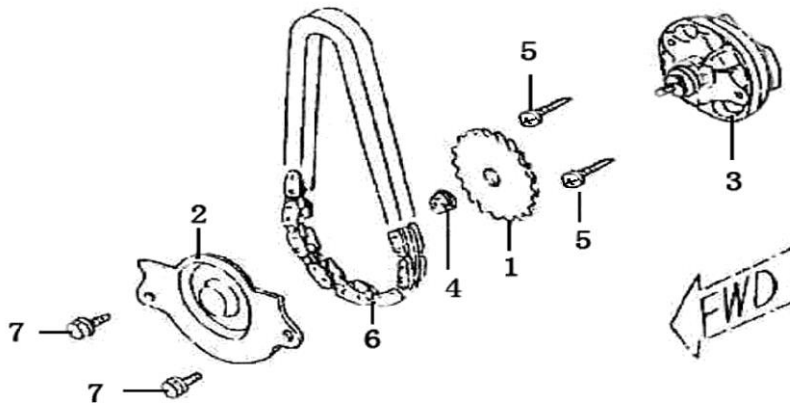
## E-11 起动电机组 Starting Motor



序号 No	图号 Part no	中文名称 Chinese	英文名称 Description	数量 Qty
1	BN152QMI-1201000	起动电机组	STARTING MOTOR ASSY	1
(1)	BN152QMI-1201002	起动电机导线	CABLE STARTING MOTOR	1
(2)	BN152QMI-1201003	O环	O-RING	1
2	GB5787-86	螺栓M6×35	BOLT M6×35	2
3	BN152QMI-1200001	起动减速齿轮	GEAR STARTER REDUCTION	1
4	BN152QMI-1200002	起动减速齿轮轴	SHAFT STARTER REDUCTION GEAR	1
5	BN152QMI-1202000	超越离合器组	CLUTCH ASSY	1
(1)	BN152QMI-1202001	离合器星轮组	GEAR CLUTCH ASSY	1
(2)	BN152QMI-1202002	离合器外圈组	OUTER COMP CLUTCH ASSY	1
(3)	GB70-85	螺钉M6×12	SCREW M6×12	3
(4)	BN152QMI-1202003	滚针轴承	BEARING NEEDLE	1
(5)	BN152QMI-1202004	离合器凸缘	FLANGE CLUTCH ASSY	1
(6)	BN152QMI-1202005	滚柱	ROLLER	3
(7)	BN152QMI-1202006	弹簧套	CAP STARING CLUTCH SPRING	3
(8)	BN152QMI-1202007	滚了弹簧	SPRING STARTING CLUTCH ROLLER	3
(9)	BN152QMI-1202008	定位销	PIN DOWEL	1
6	BN152QMI-1200003	垫圈	WASHER	1
7	BN152QMI-1200004	锁定螺母	NUT LOCK	1
8	BN152QMI-1201004	衬套	bush	2

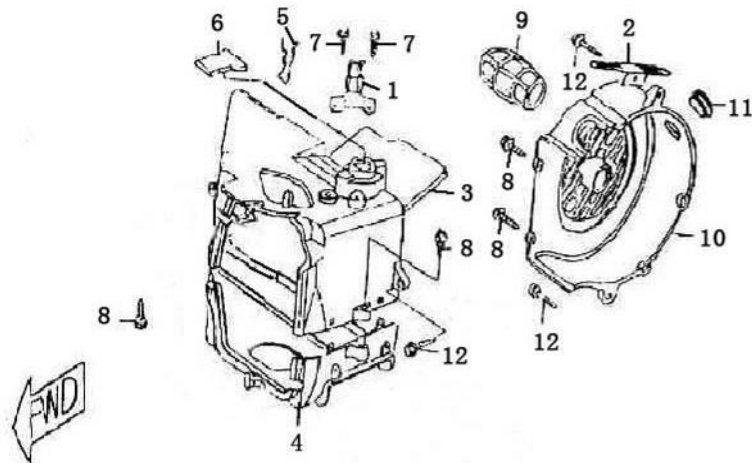
E-12 机油泵

Oil Pump



序号	图号	中文名称	英文名称	数量
No	Part no	Chinese	Description	Qty
1	BN152QMI-1400001	驱动链轮	SPROCKET DRIVE	1
2	BN152QMI-1400002	机油泵隔离板	SEPARATOR OIL	1
3	BN152QMI-3-1401000	机油泵组	PUMP ASSY OIL	1
4	GB6187-1986	螺母M6	NUT M6	1
5	GB845-85	十字槽沉头螺钉M6×27	snail M6×27	2
6	BN152QMI-1400003	机油泵链条	oil pump chain	1
7	GB5787-86	螺栓M6×12	NUT M6×12	2

E-13 风扇盖·引擎罩盖  
Fan Cover·Shroud



序号	图号	中文名称	英文名称	数量
No	Part no	Chinese	Description	Qty
1	BN152QMI-0501000	通气管夹组	CLAMPER BREATHER TUBE ASSY	1
2	BN152QMI-1300003	磁电机线夹	CLAMPER STARTER CABLE	1
3	BN152QMI-3-0500004	罩盖A	SHROUD COMP A	1
4	BN152QMI-3-0503000	罩盖B	SHROUD COMP B	1
5	BN152QMI-0500005	高压线夹	CLIP HIGH TENSION CORD	1
6	BN0064	橡皮塞A	GROMMET SHROUD A	1
7	GB845-85	螺钉ST4.8×6-C-H	SCREW TAPPING ST4.8×6-C-H	2
8	GB845-85	螺钉ST4.8×13-C-H	SCREW TAPPINGST4.8×13-C-H	4
9	BN152QMI-0500002	化油器冷却导管	CARBURETOR COOLING PIPE	1
10	BN152QMI-0502000	冷却风扇盖组	COOLING FAN COVER	1
11	BN0062	橡皮塞B	GROMMET SHROUD B	1
12	GB5787-86	螺栓M6×25	BOLT M6×25	3